

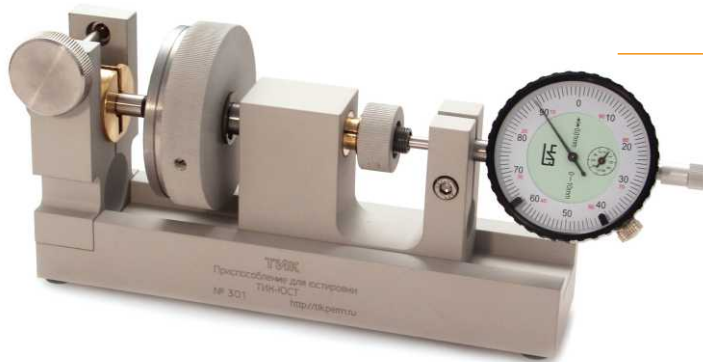
TIK-UST device for verification and adjustment eddy-current transducers

Variability

Several types of indicators, including digital

Universality

Large number of interchangeable sleeves to fit all sensor sizes



Accuracy and reliability

Application of indicators, included in the Rosreestr

TIK-UST device for verification and adjustment eddy-current transducers is entered in the **Register of measuring instruments**, which is confirmed by the corresponding certificate.

Description

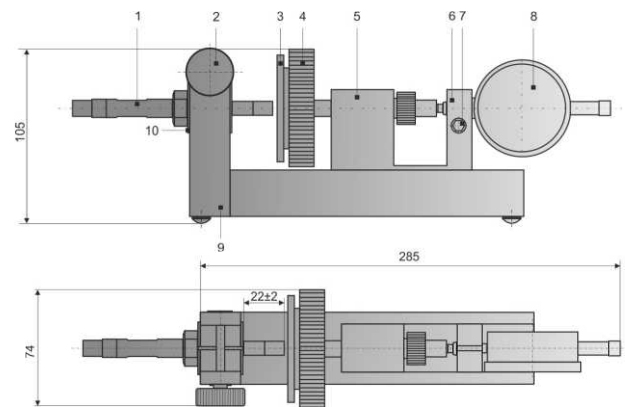
TIK-UST adjustment device designed to create a calibrated gap between the surface of the measuring disk of the device and the surface of the eddy-current transducer.

The main field of application is the adjustment and verification (calibration) of axial shift sensors and vibration displacement sensors. The device imitates the surface of the controlled part of the unit and the task of gaps in the measuring range of the sensors. The clearance is controlled by reading devices (indicators) included in the Federal Register.

TIK-UST can be used for DS-1, DS-2, DS-3; DS-1 and DS-2 (with mounting kits) eddy-current transducers, as well as eddy-current transducers from other manufacturers.

Features

- wide range of calibrated clearance settings (up to 50 mm);
- a large number of replaceable bushings;
- light weight device (up to 1.5 kg);
- short exposure time before starting work (2 hours);
- robust construction.



- | | |
|-----------------------------------|------------------------|
| 1. Eddy-current transducer (f.e.) | 6. Carriage stand |
| 2. Screw for fixing the sleeve | 7. Screw |
| 3. Measuring disc | 8. Indicator |
| 4. Ratchet drum | 9. Rack |
| 5. Carriage | 10. Replacement sleeve |

Specifications

Design features

Range of installation of the size of the calibrated gap, mm	0-50
Range of measurements of the reading device, mm	
• for watch type indicator	0-10
• for digital indicator	0-12.5
Division value, mm, not less than	
• for watch type indicator	0.01
• for digital indicator	0.001
Limits of permissible abs. errors of installation of size calibrated clearance, mm	
• for watch type indicator	±0.02
• for digital indicator	±0.015
Mounting size of sensors*, mm	∅ 8, 10, 16, 24
* Sensors with mounting kit and non-standard threads can be installed	
Overall dimensions, mm	105x74x285
Weight, kg, not more than	1.5

Complete set

Unit (alignment device), pcs.	1
Counting device**, pc.	1
• for watch type indicator	0-10
• for digital indicator	0-12.5
** Possible CD types are shown at the back of this booklet	
Replaceable bushings for installing, pcs.	up to 5

Performance



Operating temperature range, °C	+15...+25
---------------------------------	-----------

Reliability parameters and manufacturer's warranty

Verification interval, years	1
Guarantee period of operation, months	24
Service life, years	10



Variety of reference devices for the TIK-UST adjustment device

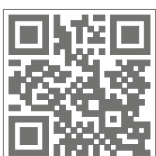
Name	Measurement range	Division value	Absolute error limits	Photo
Watch type indicator (WTI)	0-10 mm	0.01 mm	±0.02 mm	
Digital indicator (DI)*	0-12.5 mm	0.001 mm	±0.015 mm	

***ABSOLUTE Series 543 digital indicator" can be supplied at customer's request*

Varieties of interchangeable bushings for eddy-current transducers installation

Types of bushings	Quantity
Bushing for mounting eddy-current transducers $\varnothing 8$ mm	1
Bushing for mounting eddy-current transducers $\varnothing 10$ mm (DS-1)	1
Bushing for mounting eddy-current transducers $\varnothing 16$ mm (DS-2)	1
Bushing for mounting eddy-current transducers $\varnothing 24$ mm (DS-3)	1
Bushing for mounting DS-1 eddy current probes with mounting kit	1

Sleeve for mounting eddy current transducers with non-standard thread is supplied separately on customer's request



TIK Research & Production Enterprise,
Limited Liability Company
14A, Marii Zagummennykh St., Perm, 614067, Russia
Tel.+7 (342) 214-75-75
E-mail: tik@perm.ru
Web-site: <https://tik.perm.ru/en>

21082023